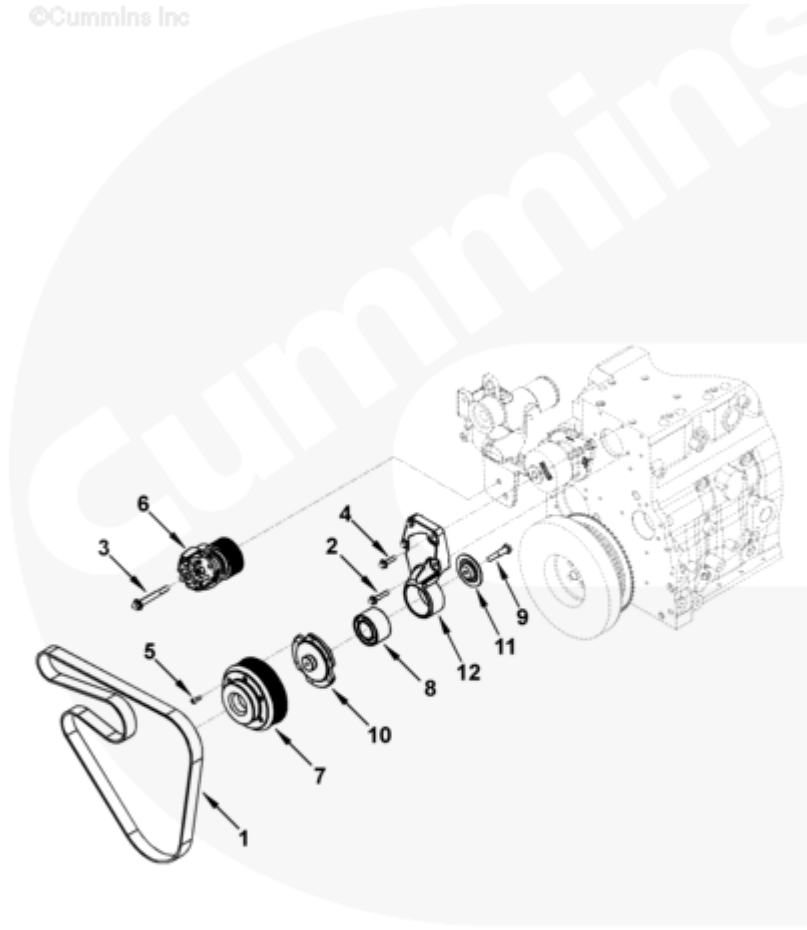




Parts Catalog - Option Detail

Electronic Parts Catalog - Option Detail				
Option	Group	Graphic	Film Card	Date
WP9136-02	08.01	wp902zj	T	10-AUG-04
Engines	4B3.9, 6A3.4, 6B5.9, B GAS INTERNATIONAL CM556, B4.5, B4.5 CM2350 B129B, B4.5 CM2350 B146C, B4.5 CM2350 B147B, B4.5 RGT, B4.5S, B5.9 G, B5.9 GAS PLUS CM556, B5.9 LPG, B5.9 LPG PLUS CM556, B6.7 CM2350 B121B, B6.7 CM2350 B135B, B6.7 CM2350 B136C, B6.7 CM2350 B148B, B6.7 G CMOH6.0 B125, B6.7N CM2380 B150B, B6.7S, F3.8 CM2350 F120B, F3.8 CM2350 F128C, F3.8 CM2350 F132B, F3.8 F102, G3.9, G5.9, G5.9 CM558, ISB (CHRYSLER), ISB CM2150, ISB CM2150 E, ISB CM550, ISB CM850, ISB/ISD4.5 CM2150 B119, ISB/ISD4.5 CM2150 SN, ISB/ISD6.7 CM2150 B120, ISB/ISD6.7 CM2150 SN, ISB/ISD6.7 CM2880 B126, ISB3.9 CM2220 B107, ISB4.5 CM2150, ISB5.9G CM2180, ISB6.7 2010 DCX PICKUP, ISB6.7 2013 DCX CHASSIS CAB, ISB6.7 CM2150 SQ, ISB6.7 CM2250, ISB6.7 CM2350 B101, ISB6.7 CM2350 B103, ISB6.7 CM2350 B142, ISB6.7 CM2670 B153B, ISB6.7 G CM2180 B118, ISBE CM2150, ISBE CM800, ISBE2/ISBE3 CM850, ISBE4 CM850, ISD4.5 CM2150, ISD6.7 CM2880 D101, ISF2.8 CM2220, ISF2.8 CM2220 AN, ISF2.8 CM2220 EC, ISF2.8 CM2220 ECF2, ISF2.8 CM2220 F101, ISF2.8 CM2220 F117, ISF2.8 CM2220 F122, ISF2.8 CM2220 F126, ISF2.8 CM2220 F129, ISF2.8 CM2220 IAN, ISF3.8 CM2220, ISF3.8 CM2220 AN, ISF3.8 CM2220 F103, ISF3.8 CM2220 F110, ISF3.8 CM2220 F116, ISF3.8 CM2220 F134B, ISF3.8 CM2220 IAN, ISF3.8 CM2350 F109, ISF4.5 CM2220 F123, ISG11 CM2880 G106, ISG11 CM2880 G108, ISG12 CM2880 G107, ISG12 CM2880 G109, ISG12 G CMOH6.0 G111, QSB3.9 30 CM550, QSB3.9 CM2880 B138, QSB4.5 30 CM550, QSB4.5 CM2150 B108, QSB4.5 CM2250 B131, QSB4.5 CM2250 EC, QSB4.5 CM2350 B106, QSB4.5 CM2350 B122			



wp902zj

SMALL | MEDIUM | LARGE

Cart	Ref No	Part Number	Part Description	Required	Remarks
<div style="border: 1px solid black; padding: 2px; display: inline-block;">View My Cart</div>					
		WP9136-02	Water Pump Drive		Water Pump Drive...(More)
					Engine Family: "B" Series
					Belt Length (mm): 1632
					Belt Type: Poly V 8 Rib K
					Crank Pulley Diameter Over
					2.5mm Balls (mm): 175.13
					Tensioner Pulley Diameter
					Over 2.5mm Balls (mm): 73.95
					Tensioner Pulley Type:

					Grooved
					Water Pump Pulley
					Diameter (mm): 76.2
					Water Pump Pulley Type:
					Smooth
					Alternator Pulley Diameter
					Over 2.5mm Balls (mm): 61.13
					#1 Idler Pulley Diameter Over
					2.5mm Balls (mm): 135.24
<input type="checkbox"/>	1	3975127	V Ribbed Belt	1	
<input type="checkbox"/>	2	3900678	Hexagon Flange Head Cap Screw	1	M8 X 1.25 X 40.
<input type="checkbox"/>	3	3900679	Hexagon Flange Head Cap Screw	1	M10 X 1.50 X 80.
<input type="checkbox"/>	4	3902114	Hexagon Flange Head Cap Screw	3	M8 X 1.25 X 30.
<input type="checkbox"/>	5	3906391	Socket Head Cap Screw	6	M6 X 1.00 X 16.
<input type="checkbox"/>	6	3973827	Belt Tensioner	1	
<input type="checkbox"/>	7	3968953	Accessory Drive Pulley	1	
<input type="checkbox"/>		3968956	Fan Support	1	
<input type="checkbox"/>	8	3910739	Ball Bearing	1	
<input type="checkbox"/>	9	3946377	Hexagon Head Cap Screw	1	M10 x 1.50 x 50
<input type="checkbox"/>	10	3947211	Fan Hub	1	
<input type="checkbox"/>	11	3949701	Fan Hub Retainer	1	
	12	3968955	Fan Support	1	